

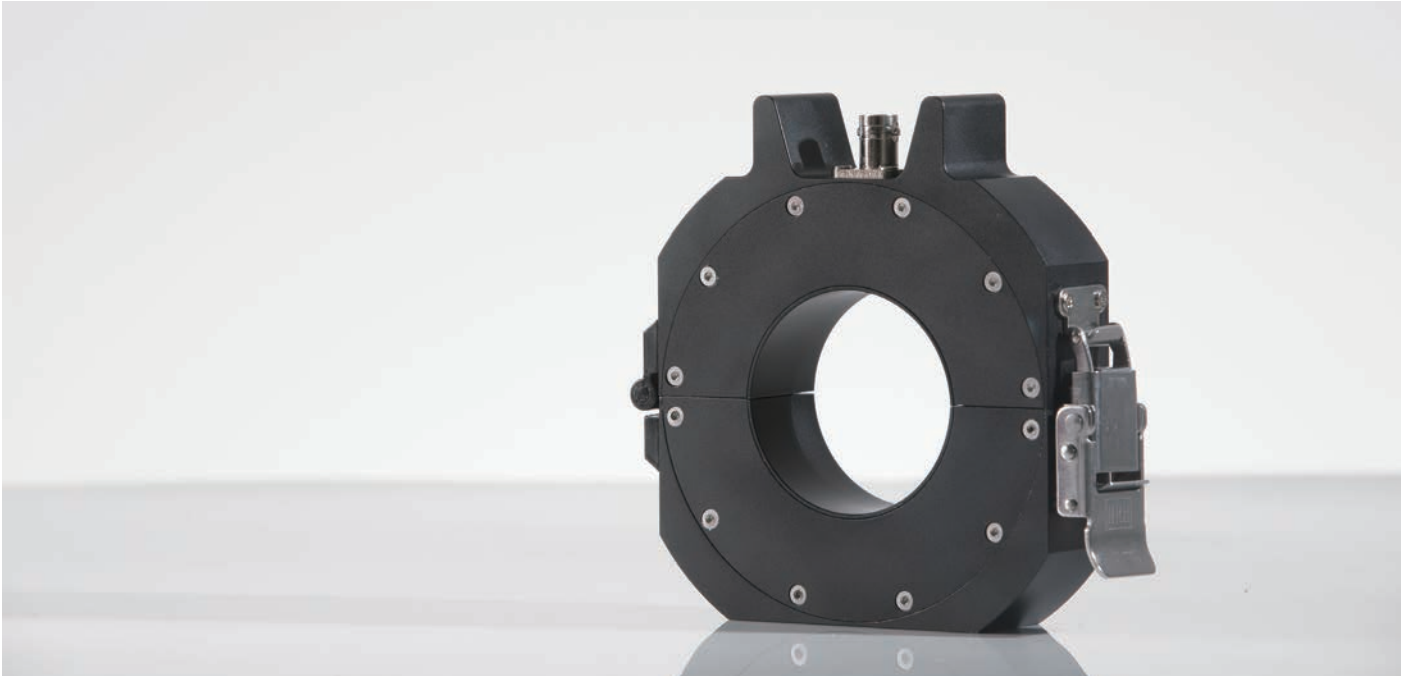
# iHFCT

High Frequency Current Transformer (HFCT)



# iHFCT-54, 120, 200

## Effective PD measurements for cable system



IEC standards prescribe type tests and routine tests to be performed by the manufacturer in order to ensure the high production quality of high-voltage cables and their accessories.

The on-site installation of the high-voltage cables remains critical. Even very small dust particles and water droplets in joints and cable terminations can lead to critical defects. These defects can result in dielectric failures and thereby a reduced cable service life and serious power faults.

In order to identify such weaknesses in proper time, the status of the insulation must be monitored continuously.

With the iHFCT-54 sensors, you can continuously detect partial discharge activity at critical points in the cable system during operation. This data is acquired, pre-processed, stored in your database, and analyzed.

### Benefits

- Maintenance free
- High sensitivity and reliability
- Robust and easy to use
- Safety
- Cost-effective
- Customization is available
- World class performance

### How does iHFCT work?

Partial discharge activity in solid high voltage insulation induces small high frequency currents in the earth conductor of the electrical system. These impulses travel along the equipment earth to the substation earth. Using a high frequency current transformer, they can be detected as they pass through the CT.

The iHFCT-54 has a split core ferrite to allow retrospective fitting to earth straps without the need for disconnection. Its larger internal diameter makes it ideal for HV and EHV applications. The durable body has a hinge and a quick release latch making use quick and easy. The CT is constructed with an aluminum body to provide RF shielding and improved performance in noisy environments. This

## Specifications

Type	iHFCT-54	iHFCT-120	iHFCT-200
Application	Indoor or Outdoor	Indoor or Outdoor	Indoor or Outdoor
Bandwidth	0.3 ~ 150 MHz	0.3 ~ 100 MHz	1 ~ 100 MHz
Sensitivity	$I_{in}$ 1mA (P-P) , $V_{out} \geq 16$ mV (P-P)	$I_{in}$ 1mA (P-P) , $V_{out} \geq 13$ mV (P-P)	$I_{in}$ 1mA (P-P) , $V_{out} \geq 10$ mV (P-P)
Load Impedance	50 $\Omega$	50 $\Omega$	50 $\Omega$
Operating Temperature	-45 ~ +80 $^{\circ}$ C	-45 ~ +80 $^{\circ}$ C	-45 ~ +80 $^{\circ}$ C
Storage Temperature	-55 ~ +90 $^{\circ}$ C	-55 ~ +90 $^{\circ}$ C	-55 ~ +90 $^{\circ}$ C
Signal Termination	BNC or N-50	BNC or N-50	BNC or N-50
Protection Class	IP68	IP68	IP68
Inner Diameter	$\Phi$ 54	$\Phi$ 120	$\Phi$ 200
Weight	0.875 kg	2.345 kg	4.230 kg
Dimensions	135mm x 130mm x 30mm	220 mm x 215 mm x 35mm	280mm x 315mm x 35mm

## Amplitude-frequency characteristics

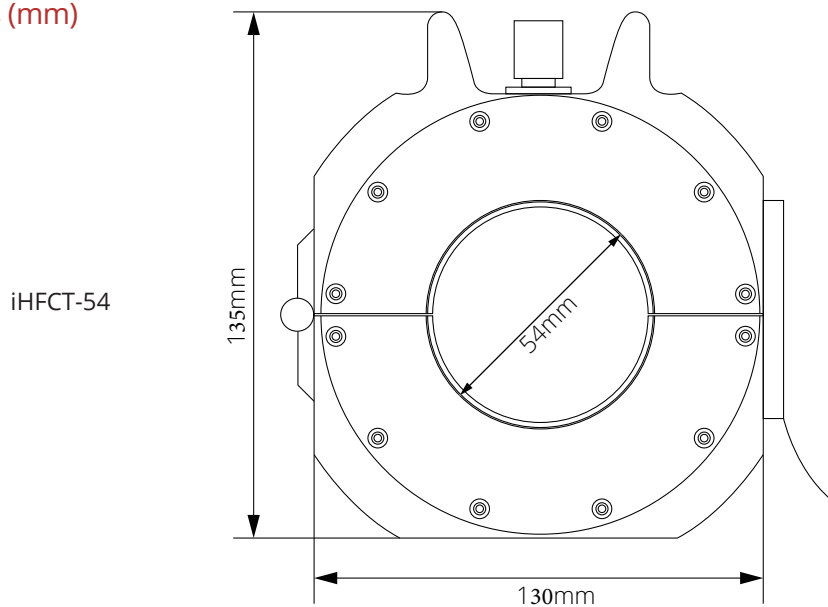


iHFCT-54



iHFCT-120

## Dimensions (mm)



# INNOVIT

**Xi'an Innovit Electric Co., Ltd.**

No. 190 of Western Avenue, Hi-tech Zone

710000 Xi'an, China

029-8938 5800

029-8958 7330 (Fax)

[www.innovit.com.cn](http://www.innovit.com.cn)

[sales@innovit.cn](mailto:sales@innovit.cn)

© INNOVIT 2010-2018,

Edition 1, December 2018, iHFCT-54&120&200. This information is subject to change without notice.

